

Specifications

Product: French Door refrigerator

Model: MFO26JSPFFS

UPC / EAN: 757638368568

Capacity: 737 L

Color: Stainless Steel

Characteristics

- Inverter
- Cooling system: Multiflow Air System
- External controls
- TurboCool
- Ice Factory (installed)
- Ice and water dispenser (external)
- Water filter
- Door alarm
- Fingerprint-resistant stainless steel door
- Free standing
- Climate classification: T
- Refrigerant gas R600a

Fridge:

- LED light
- 4 adjustable tempered glass trays (1 Quick Space)
- 3 drawers (2 humidity control + 1 deli pan)
- 7 shelves at door (3 left / 4 right)

Freezer:

- LED light
 - 2 drawers (1 with adjustable divider)
-
- UK Plug
 - 220 – 240V / 50 – 60 Hz

Main benefits

- The right environment for keeping fruits and vegetables fresh.
- Multiple shelf configuration options that enable food storage flexibility.
- An extra boost of cold air restores interior to set temperature for optimum food freshness and conservation.



Specifications

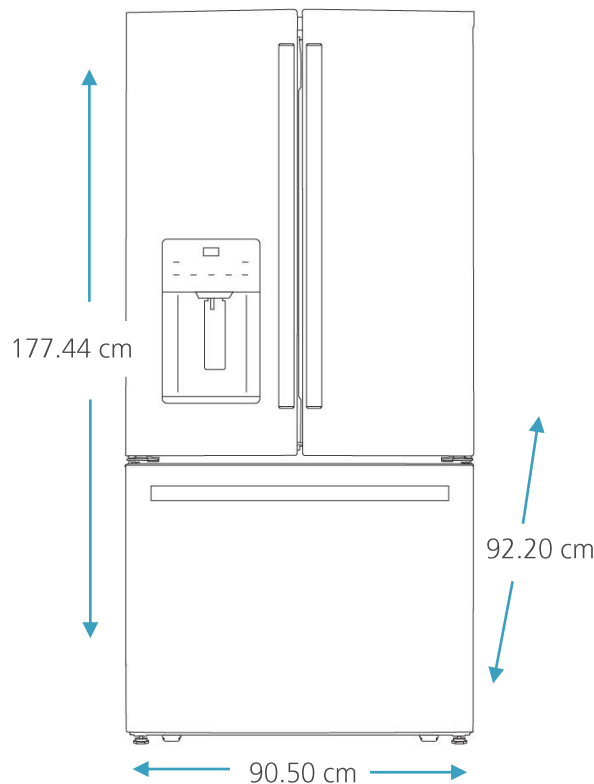
Model: MFO26JSPFFS

UPC / EAN: 757638368568

Important

- After moving the equipment, it should be allowed to stand for a minimum of 8 hours before being plugged in.
- After the rest, it should be allowed to connect for another 8 hours to reach the optimal temperature before introducing the food.

Installation diagram and measurements



Measures and weights

Unpacked	Height: 177.44 cm	Width: 90.50 cm	Depth: 92.20 cm	Weight: 132.00 kg
Packed	Height: 182.00 cm	Width: 99.00 cm	Depth: 91.00 cm	Weight: 152.00 kg